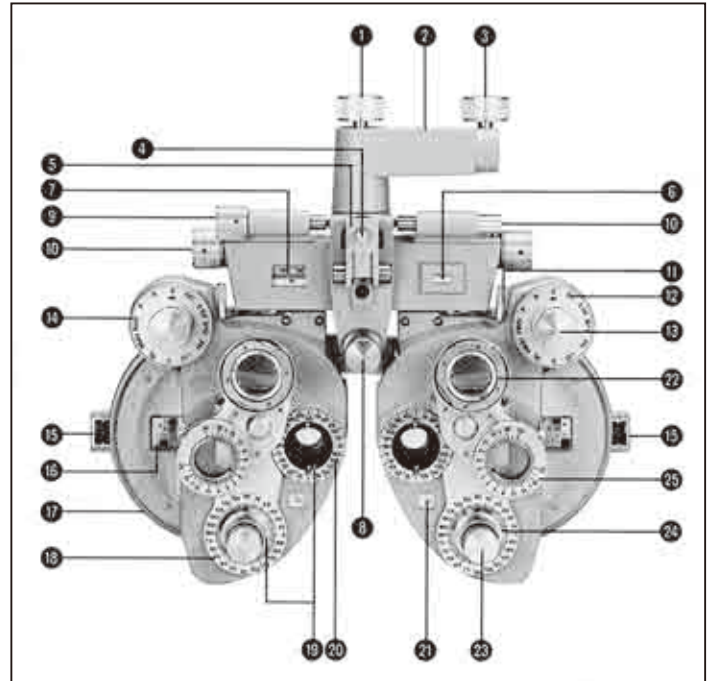


Model: **BR-7**
Refractor

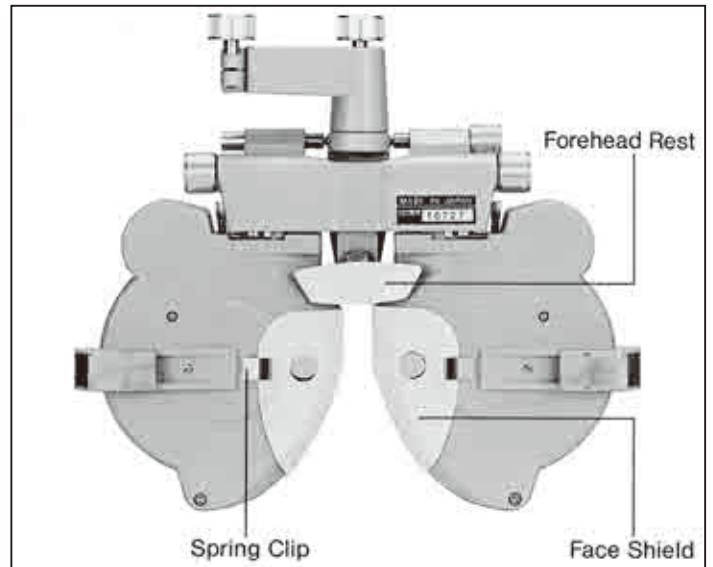


Specifications

Sphere power	Range: +16.75 to -19.00 dioptres Step: 0.25 diopters
Cylinder power	Range: 0.00 to -6.00 diopters (0.00 to -8.00 diopters with additional lens of -2.00 diopters) Step: 0.25 diopters
Cylinder axis	0 to 180°, 5° steps
Cross cylinder	±25 diopters
Rotary prisms	0△ to 20△, 1△ steps
Auxiliary lens dial	(O) – Open aperture (two positions) (R) – Retinoscopic lens, +1.50D (P) – Polarizing lens 45° –left eye 135° –right eye (WMV) or (RMV) –Maddox rod, vertical white –left eye red –right eye (WMH) or (RMH) –Maddox rod, horizontal white –left eye red –right eye (RL) –Red lens (+.12) – +0.12D sphere (PH) –Pin hole (10△I) or (6△U) –10△ base-in –left eye 6△ base-up –right eye (Dissociating prisms) (±.50) –±0.50 fixed cross cylinder (OC) –Occluder
P.D. adjustment	48~75 mm, 1 mm steps
Standard accessory lenses	Two –.12D and –2.00 cylinder lenses, two plano lenses for sealing front opening
Standard accessories	1 near point card with holder and reading rod, dust cover, face shield, accessory case for lenses
Dimensions	318X293X96 (mm)
Net weight	Approx. 4.5 kg
Standard color	Black or honey gray



- | | |
|----------------------------|---------------------------------|
| 1 Rotation Adjustment Knob | D Strong Sphere Control |
| 2 Mounting Bracket | E Corneal Aligning Device |
| 3 Tilt Clamp Knob | F Sphere Power Scale |
| 4 Reading Rod Clamp Screw | G Weak Sphere Dial |
| 5 Reading Rod Holder | H Cylinder Axis Scale |
| 6 Spirit Level | I Cylinder Axis Indicators |
| 7 P.D. Scale | J Cylinder Axis Reference Scale |
| 8 Forehead Rest Knob | K Cylinder Power Scale |
| 9 Leveling Knob | L Cross Cylinder Unit |
| 0 P.D. Knob | M Cylinder Power Knob |
| A Vergence Lever | N Cylinder Axis Knob |
| B Auxiliary Lens Scale | O Rotary Prism Unit |
| C Auxiliary Lens Knob | |



Design and specifications are subject to change without notice.